

D

D

C

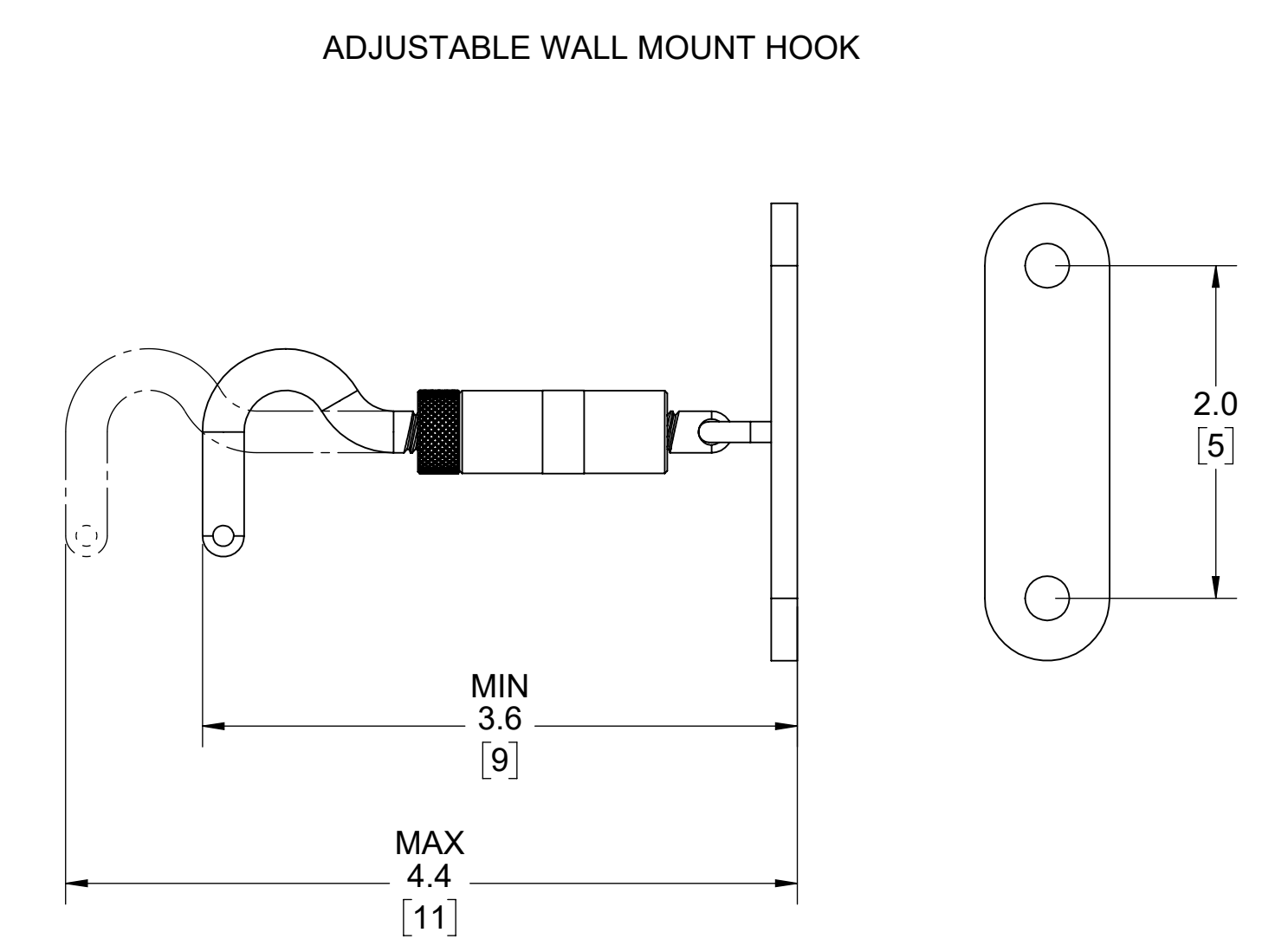
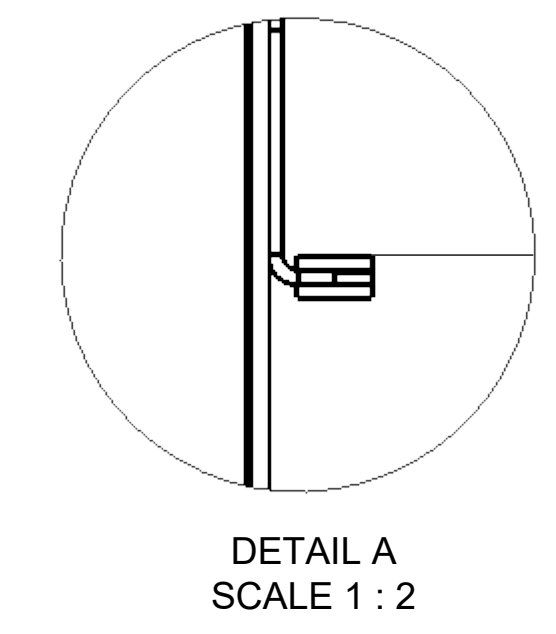
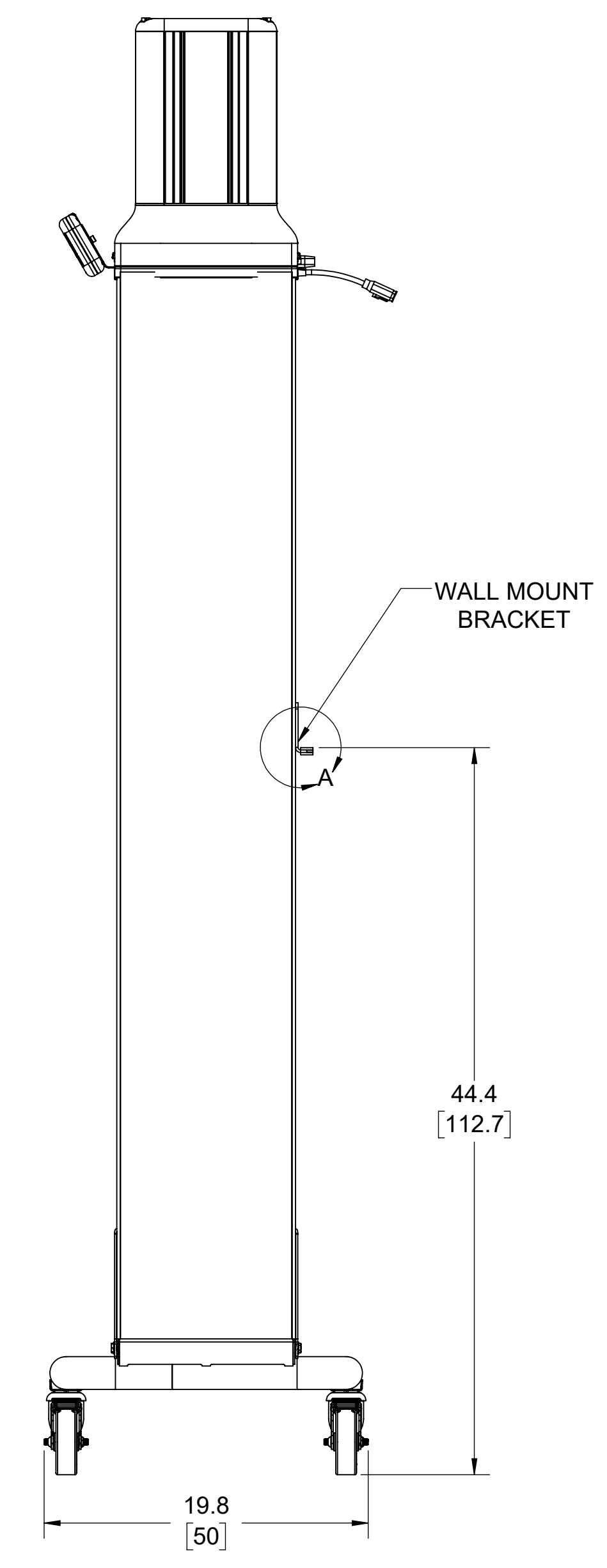
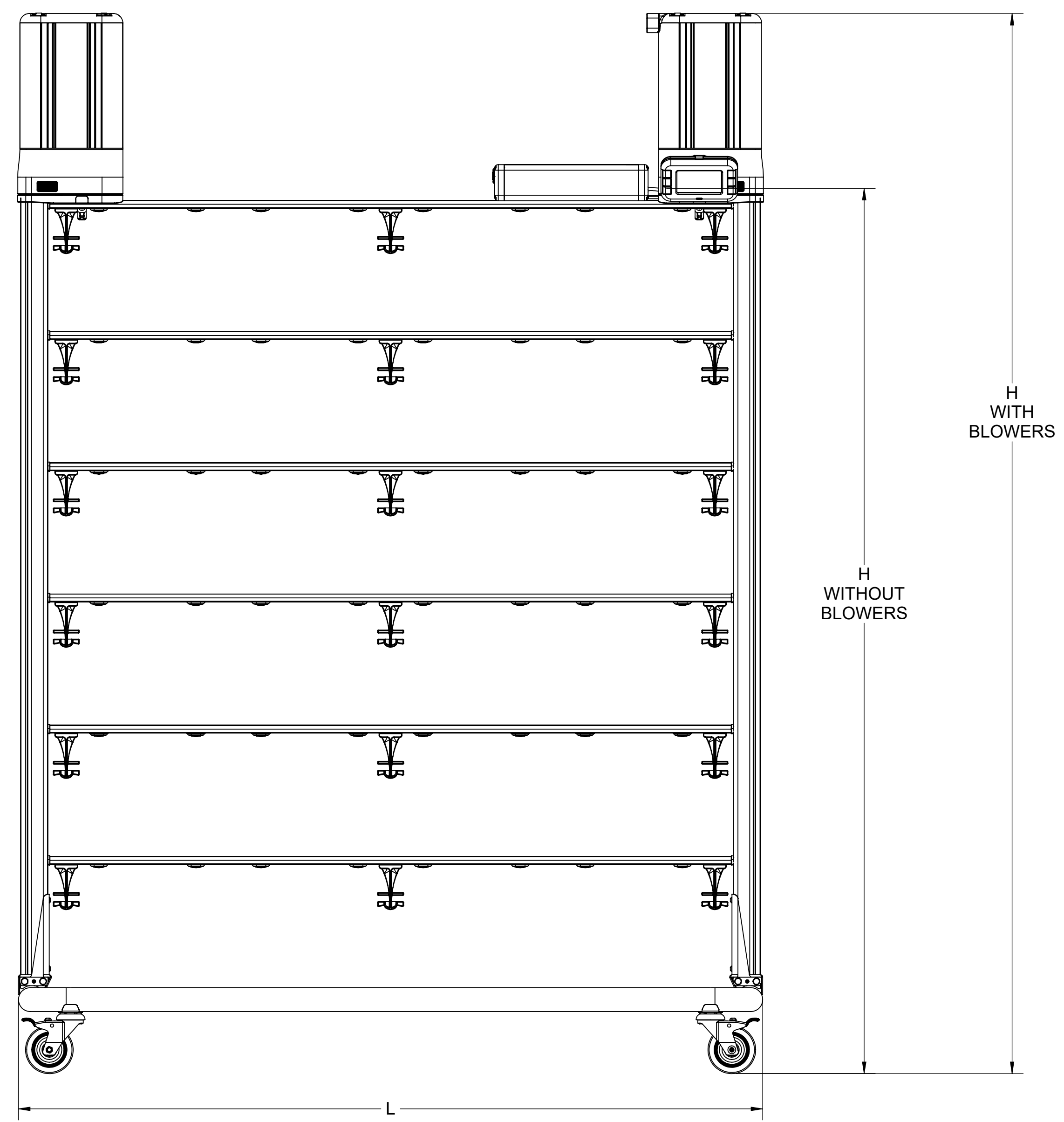
C

B

B

A

A



Innovive
3.5 SINGLE SIDED XL TALL RAT

8

7

6

5

4

3

1

THIS DOCUMENT CONTAINS PROPRIETARY INFORMATION WHICH MAY NOT BE DISCLOSED TO OTHERS, REPRODUCED OR USED WITHOUT AUTHORITY FROM INNOVIVE. SPECIFICATIONS SUBJECT TO CHANGE WITHOUT NOTICE.

PRODUCT	3.5 SINGLE-SIDED INNORACK IVC XL TALL RAT
POWER SUPPLY ELECTRICAL INPUT SPECIFICATIONS	VOLTAGE RANGE ⁽¹⁾ : 85-264VAC FREQUENCY RANGE: 47-63HZ AC CURRENT(TYP.): 7.6A/115VAC, 3.6A/230VAC
OPERATIONAL AC CURRENT(TYP.) ⁽²⁾	.6-2.5A/120VAC, .3-1.25A/240VAC
PLUG TYPE	NEMA 5-15 PLUG/US, CEE 7/7 PLUG/EURO AND IEC 320 CONNECTOR
LENGTH OF CORD	US: 108 IN. [274 CM] EUROPE: 78.7IN [200CM]

- (1) DERATING MAY BE NEEDED UNDER LOW INPUT VOLTAGES.
- (2) VARIES DEPENDING ON RACK SIZE, ACH AND CONDITION OF BLOWER FILTERS COMPONENTS.
- (3) MEASUREMENTS LISTED ARE +/- 0.5" .
- (4) TO ENSURE BEST RESULTS A THIMBLE OR ADJUSTABLE VALVE SHOULD BE INSTALLED AT EACH CEILING DROP - HVAC VALUES ARE BASED ON RACK RUNNING AT MAXIMUM NEGATIVE AIRFLOW SETTING.
- (5) PLEASE CONTACT INNOVIVE FOR MORE INFORMATION.

PRODUCT CODE	COLUMNS	ROWS	CAGE POSITIONS	LENGTH (L)		HEIGHT WITHOUT BLOWERS (H)		HEIGHT WITH BLOWERS (H*)		WEIGHT WITHOUT CAGES		HVAC ⁽³⁾
				inches (in)	centimeters (cm)	inches (in)	centimeters (cm)	inches (in)	centimeters (cm)	pounds (lbs)	kilograms (kg)	cubic feet per min (CFM)
RS35T-2-6-12XL	2	6	12	62.66	159.1	74.50	189.2	89.25	226.7	203	92.3	83

Innovive

3.5 SINGLE SIDED XL TALL RAT

8

7

6

5

4

3

2

1